

SMOKE ALARM



IONIZATION

Ionization sensing chamber. Generally more effective at detecting small particles produced by flaming fires. Sources may include paper or kitchen grease.

SILENCE FEATURE

Silences and tests alarm with a single button.

TWO LOCKING FEATURES

Pins are provided to lock battery drawer and/or alarm to base. Perfect for apartment, dormitory or hotel applications.

EASY ACCESS BATTERY DRAWER

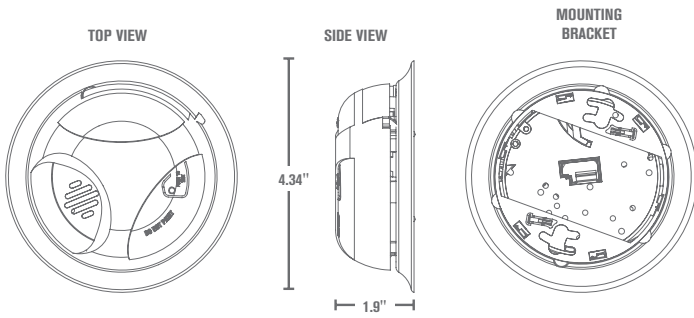
END OF LIFE SIGNAL

Provides audible notice when alarm needs to be replaced after 10 years.

First Alert Model SA303A (Cat. 1039802) is a battery operated single station ionization sensor smoke alarms specifically designed for residential and institutional applications including sleeping rooms of hospitals, hotels, motels, dormitories, and other multifamily dwellings as defined in standard NFPA 101. Model SA303A has been fully tested and complies with, ULC S531, NFPA 72, and NFPA 101 and other agencies that model their codes after the above agencies. They meets building codes where battery operated ionization sensor with silence smoke alarms are required and with model building codes published by the ICC.

First Alert SA303A is a state of the art smoke alarm designed to provide early warning of a fire. It features an ionization smoke sensing chamber, an 85dB horn, a supervised 9V battery power supply, a single button test/silence switch, a silence feature to silence unwanted nuisance alarms, a red LED light that indicates DC power or alarm. It also features tamper resistant locking pins that lock the alarm to the mounting bracket and/or the battery drawer to prevent removal of battery. Battery installation and removal can occur while the unit is mounted to the ceiling or wall via the swing open battery drawer. Designed for wall or ceiling mounting. Includes mounting anchors and screws.





ARCHITECTURAL AND ENGINEERING SPECS

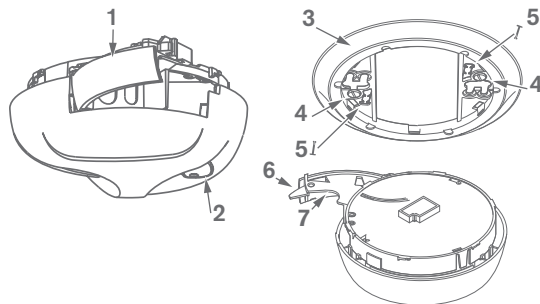
The smoke alarm shall be a First Alert Model SA303A (Cat. 1039802) and shall provide at a minimum the following features and functions:

1. An ionization sensing chamber.
2. The unit shall be capable of self restoring.
3. A fully screened sensing chamber to resist entry of small insects thereby reducing the probability of unwanted alarms.
4. Powered by a supervised 9V battery and a solid state piezo horn rated at 85dB at 10 ft.
5. A visual LED power-on indicator to confirm unit is receiving power or is in alarm.
6. A full function test button. The test button should check all alarm functions by stimulating the chamber to simulate a smoke condition, causing the unit to alarm.
7. Silence feature - Temporarily silence unwanted nuisance alarms.
8. Two Locking features - tamper resistant locking pins that lock battery drawer and/or alarm to mounting bracket.
9. The unit shall be capable of operating between 40°F (4°C) and 100°F (38°C) and relative humidity between 10% and 90%.
10. The unit shall contain mounting hardware and shall be listed for wall or ceiling mounting.
11. The unit shall at a minimum meet the requirements of ULC S531, NFPA 72, NFPA 101, and ICC.
12. The unit shall have an "End of Life" signal.

INSTALLATION OF ALARM

Installation of this smoke alarm must conform to NFPA 72. Always check your local building codes. Follow all instructions for placement as outlined in the user's manual in sections titled "Recommended Locations for Smoke Alarms" and "Locations to Avoid for Smoke Alarms."

THE PARTS OF THIS ALARM



- | | |
|--|---|
| 1. Battery Compartment | 5. Locking Pins |
| 2. Test/Silence Button & Red Alarm Light | 6. Battery Drawer Latch |
| 3. Mounting Bracket | 7. Battery Drawer - Install 9V battery here |
| 4. Mounting Slots (1 of 2) | |

TECHNICAL SPECS

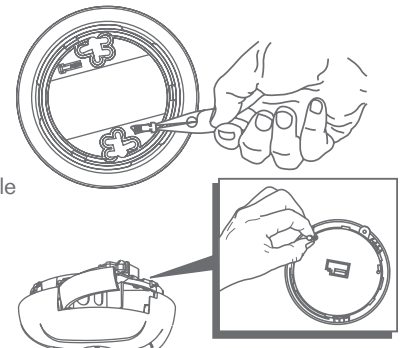
Alarm Dimensions:	4.34" Dia. x 1.9" H
Weight:	6.8 oz.
Operating Voltage:	9V Battery Powered
Temperature Range:	40°F (4°C) to 100°F (38°C)
Humidity Range:	10% to 90% relative humidity (RH)
Audio Alarm:	85dB at 10 feet
Test/Silence:	Electronically simulates smoke condition, causing the unit to alarm. Press and hold test/silence button.
Alarm Reset:	Automatic when smoke clears
Smoke Sensor:	Ionization
Indicator Lights/Sounds:	
DC Power:	Intermittent Red Light
Local Alarm:	Audio alarm and rapidly flashing Red LED
End of Life:	Horn sounds 5 chirps; pattern repeats once/minute
Listing:	Certified to ULC STD S531

SHIPPING SPECS

Individual Carton Dimensions	3.1" L x 6.8" W x 8.5" H
Weight:	0.5 lbs.
Cube:	0.1 ft ³
UPC:	0 29054 01876 2
Master Carton Dimensions	9.5" L x 7.1" W x 9.0" H
Master Pack:	3
Weight:	1.9 lbs.
Cube:	0.4 ft ³
I2of5:	100 29054 01876 9
Pallet Information	
Cases per Layer:	26
Number of Layers:	5
Cases per Pallet:	130
Units per Pallet:	390
Cube:	55.9 ft ³
Weight:	280 lbs.

BATTERY DRAWER LOCK

Remove Pin



Push locking pin through hole near battery drawer on the back of the alarm.